



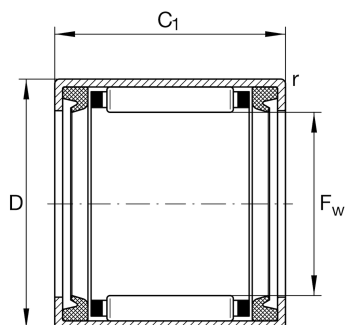
## HK0812-2RS

Drawn cup needle roller bearing open end

Schaeffler ID:  
0074488560000

Drawn cup needle roller bearings with open ends HK..-2RS, lip seals on both sides, to DIN 618

### Technical information



#### Main Dimensions & Performance Data

$F_w$	8 mm	Under roller diameter
$D$	12 mm	Outside diameter
$C$	12 mm	Width
$C_r$	2,750 N	Basic dynamic load rating, radial
$C_{0r}$	2,600 N	Basic static load rating, radial
$C_{ur}$	300 N	Fatigue load limit, radial
	3.46 g	Weight

#### Dimensions

$C_1$	12 mm	Width, outer ring
$r_{min}$	0.4 mm	Minimum chamfer dimension
	IR5X8X12-XL	Suitable inner rings IR

#### Temperature range

$T_{min}$	-20 °C	Operating temperature min.
$T_{max}$	100 °C	Operating temperature max.